

# MPI QUICK RELEASE INSTALLATION GUIDE



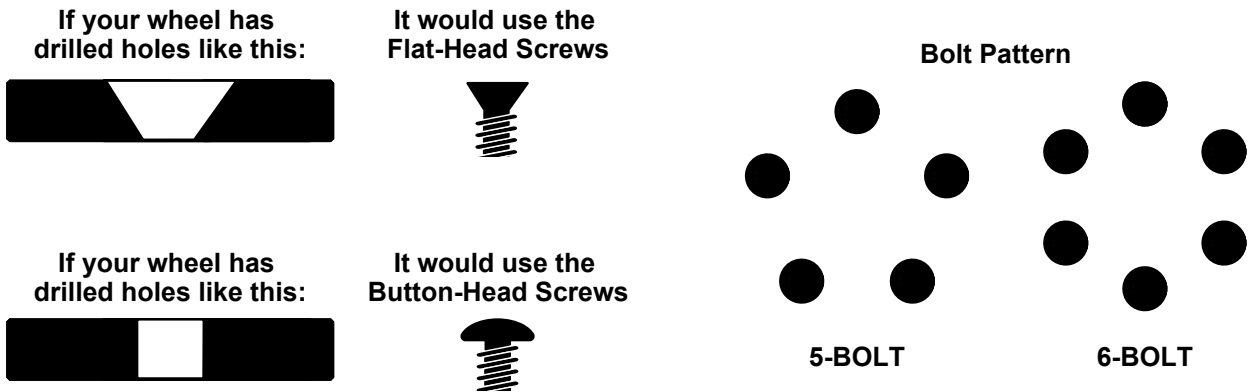
MPI-QR-R1-56-W

■ **NOTE:** Read these Installation Instructions thoroughly before beginning the installation process. Retain these Installation Instructions for future reference.

Includes:	QTY	DESCRIPTION
MPI-QR-R1-56-W	1	Quick Release Unit
	1	Button-Head Screw (10/32 x 3/4)
	1	Flat-Head Countersunk Screw (10/32 x 5/8)
	5	Flat-Head Countersunk Screw (10/32 x 1/2)
	1	Flat Washers
	1	Jam Nut
	5	Button-Head Screw (10/32 x 1/2) (optional)
	1	Instructions

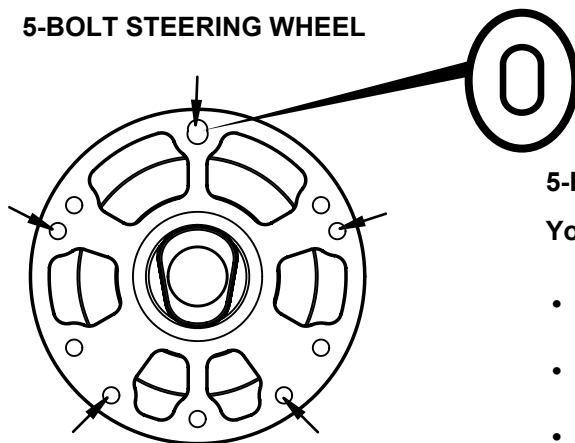
**TOOLS REQUIRED:**  
1/8" Allen Head  
5/32" Allen Head  
3/8" Wrench

## Bolt Identification:



## Bolt-Installation:

Once you've identified what type of drill holes your wheel has and the corresponding bolt pattern you are ready to install:



**NOTE:** Longest screw (10/32 x 3/4) goes through the only elongated hole and requires a washer and jam nut on the backside.

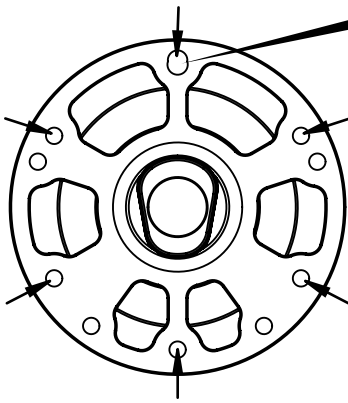
### 5-BOLT QUICK RELEASE HARDWARE

You will need the following hardware for a 5-Bolt steering wheel installation:

- (4) Flat-Head Countersunk or Button-Head Screw (10/32 x 1/2)
- (1) Flat-Head Countersunk (10/32 x 5/8) or (1) Button-Head Screw (10/32 x 3/4)
- (1) Flat Washers
- (1) Jam Nut

5x72mm Pattern Screw Placement

## 6-BOLT STEERING WHEEL



6x70mm Pattern Screw Placement



### NOTE:

Longest screw (10/32 x 3/4) goes through the only elongated hole and requires a washer and jam nut on the backside.

### 6-BOLT QUICK RELEASE HARDWARE

You will need the following hardware for a 6-Bolt steering wheel installation:

- (5) Flat-Head Countersunk or Button-Head Screw (10/32 x 1/2)
- (1) Flat-Head Countersunk (10/32 x 5/8) or (1) Button-Head Screw (10/32 x 3/4)
- (1) Flat Washers
- (1) Jam Nut



Email: [mpi@maxpapis.com](mailto:mpi@maxpapis.com)  
Phone: 704-208-4344  
119 Eastbend Ct. Suite 20  
Mooresville, NC. 28117